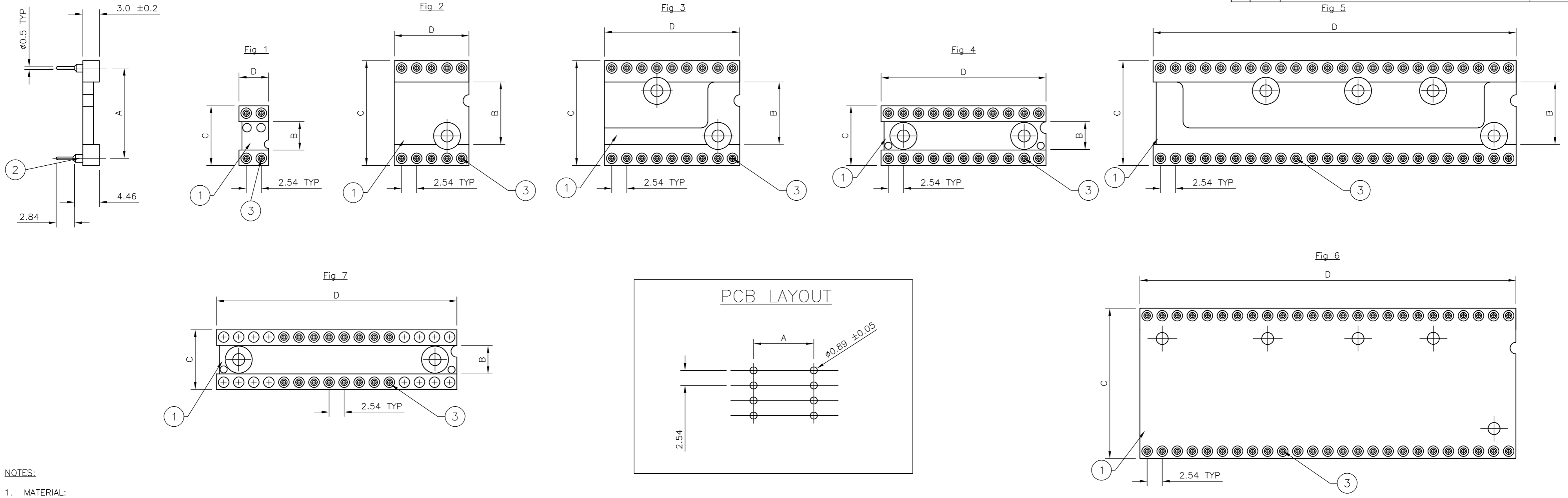


THIS DRAWING IS UNPUBLISHED. RELEASED FOR PUBLICATION 28JUN , 2005.
 © COPYRIGHT 2005 BY TYCO ELECTRONICS CORPORATION. ALL RIGHTS RESERVED.

LOC	DIST	REVISIONS			
P	LTR	DESCRIPTION	DATE	DWN	APVD
C		ECR-06-017535	22/06/06	AM	FWK



- NOTES:**
- MATERIAL:**
 - 1, INSULATOR - THERMOPLASTIC POLYESTER UL-94-V-0.
 - 2, SLEEVE - BRASS.
 - 3, CONTACT - STAMPED BERYLLIUM COPPER.
 - PIN SPECIFICATION:**
 - CONTACT ACCEPTS: ROUND PIN $\phi 0.40$ TO 0.56 . RECTANGULAR PIN 0.25×0.45 (NOMINAL).
 - MECHANICAL DATA:**
 - INSERTION FORCE- 3.2N MAX/CONTACT.
 - EXTRACTION FORCE- 0.5N MIN/CONTACT.
 - MECHANICAL LIFE- 100 CYCLES MIN ($0.75\mu\text{m Au}$), 50 CYCLES MAX (FLASH Au), 25 CYCLES MAX ($5\mu\text{m Sn}$).
 - CONTACT RETENTION- 3.3N MIN.
 - SOLDER PROCESS CAPABILITY- 260°C
 - ELECTRICAL:**
 - CONTACT RESISTANCE- 10m Ohm MAX.
 - CONTACT RATING- 1Amp
 - INSULATION RESISTANCE- AT 500V AC BETWEEN ANY 2 ADJACENT CONTACTS MIN 10000m Ohm.
 - DIELECTRIC VOLTAGE- MIN 1000V RMS.
 - ENVIRONMENTAL:**
 - OPERATION TEMPERATURE- -55 $+125^\circ\text{C}$
 - TUBE PACKAGED WITH NUMBER OF PARTS PER TUBE AS INDICATED IN TABLE. EACH TUBE TO BE INDIVIDUALLY LABELLED. THE LABEL WILL HAVE TYCO PART NUMBER, XX QTY PER TUBE, DATE CODE AND RoHS DIRECTIVE DETAILS (RoHS 2002/95/EC). OUTER BOX / SHIPPER CARTON TO BE LABELLED WITH TYCO PART NUMBER, TOTAL XXX QTY PER OUTER BOX / SHIPPER CARTON, DATE CODE AND RoHS DIRECTIVE DETAILS (RoHS 2002/95/EC).**
 - FOR TECHNICAL DATA REFER TO YOUR LOCAL TYCO ELECTRONICS SALES OFFICE.**

Part No	Dimensions	Number Of Positions	Fig
8	0.75 $\mu\text{m Au}$	48	5
8	FLASH Au	48	5
8	5 $\mu\text{m MIN Sn}$	48	5
8	0.75 $\mu\text{m Au}$	48	5
17	0.75 $\mu\text{m Au}$	24	4
17	FLASH Au	24	4
17	5 $\mu\text{m MIN Sn}$	24	4
17	0.75 $\mu\text{m Au}$	24	4
18	0.75 $\mu\text{m Au}$	22	4
18	FLASH Au	22	4
18	5 $\mu\text{m MIN Sn}$	22	4
18	0.75 $\mu\text{m Au}$	22	4
22	0.75 $\mu\text{m Au}$	18	3
22	FLASH Au	18	3
22	5 $\mu\text{m MIN Sn}$	18	3
22	0.75 $\mu\text{m Au}$	18	3
41	0.75 $\mu\text{m Au}$	10	2
41	FLASH Au	10	2
41	5 $\mu\text{m MIN Sn}$	10	2
41	0.75 $\mu\text{m Au}$	10	2
41	0.75 $\mu\text{m Au}$	10	1
41	FLASH Au	10	1
41	5 $\mu\text{m MIN Sn}$	10	1
41	0.75 $\mu\text{m Au}$	10	1
105	0.75 $\mu\text{m Au}$	4	1
105	FLASH Au	4	1
105	5 $\mu\text{m MIN Sn}$	4	1
105	0.75 $\mu\text{m Au}$	4	1

THIS DRAWING IS A CONTROLLED DOCUMENT.

DIMENSIONS: mm

TOLERANCES UNLESS OTHERWISE SPECIFIED:

0 PLC	±
1 PLC	±
2 PLC	±
3 PLC	±
4 PLC	±
ANGLES	±

MATERIAL: - FINISH: -

APPROVED: F. Wheeler-King

NAME: CLOSED FRAME DIP IC SOCKET


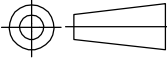
SIZE: A2 CAGE CODE: 00779 DRAWING NO: C=1814643

SCALE: 2:1 SHEET: 1 OF 2

THIS DRAWING IS UNPUBLISHED. RELEASED FOR PUBLICATION 28JUN , 2005.
 © COPYRIGHT 2005 BY TYCO ELECTRONICS CORPORATION. ALL RIGHTS RESERVED.

LOC	DIST	REVISIONS					
E	B	P	LTR	DESCRIPTION	DATE	DWN	APVD
		-	-	SEE SHEET 1	-	-	-

Part No	Fig	Number Of Positions	DIMENSIONS				Sleeve Plating	Contact Plating	No. Of Parts Per Tube
			A	B	C	D			
2-1814643-9	6	50	22.86	-	25.4	64.7	5µm Sn OVER 2-3µm Ni	0.75µm Au	8
3-1814643-0	6	50	22.86	-	25.4	64.7	5µm Sn OVER 2-3µm Ni	5µm MIN Sn	8
3-1814643-1	6	50	22.86	-	25.4	64.7	5µm Sn OVER 2-3µm Ni	FLASH Au	8
3-1814643-2	6	50	22.86	-	25.4	64.7	0.25µm Au OVER 2-3µm Ni	0.75µm Au	8
3-1814643-3	6	52	22.86	-	25.4	67.2	5µm Sn OVER 2-3µm Ni	0.75µm Au	7
3-1814643-4	6	52	22.86	-	25.4	67.2	5µm Sn OVER 2-3µm Ni	5µm MIN Sn	7
3-1814643-5	6	52	22.86	-	25.4	67.2	5µm Sn OVER 2-3µm Ni	FLASH Au	7
3-1814643-6	6	52	22.86	-	25.4	67.2	0.25µm Au OVER 2-3µm Ni	0.75µm Au	7
3-1814643-7	6	64	22.86	-	25.4	81.2	5µm Sn OVER 2-3µm Ni	0.75µm Au	6
3-1814643-8	6	64	22.86	-	25.4	81.2	5µm Sn OVER 2-3µm Ni	5µm MIN Sn	6
3-1814643-9	6	64	22.86	-	25.4	81.2	5µm Sn OVER 2-3µm Ni	FLASH Au	6
4-1814643-0	6	64	22.86	-	25.4	81.2	0.25µm Au OVER 2-3µm Ni	0.75µm Au	6
4-1814643-1	7	32	10.16	-	12.6	40.6	5µm Sn OVER 2-3µm Ni	0.75µm Au	12
4-1814643-2	7	32	10.16	-	12.6	40.6	5µm Sn OVER 2-3µm Ni	5µm MIN Sn	12
4-1814643-3	7	32	10.16	-	12.6	40.6	5µm Sn OVER 2-3µm Ni	FLASH Au	12
4-1814643-4	7	32	10.16	-	12.6	40.6	0.25µm Au OVER 2-3µm Ni	0.75µm Au	12
4-1814643-5	7	16/32	10.16	-	12.6	40.6	5µm Sn OVER 2-3µm Ni	0.75µm Au	12
4-1814643-6	7	16/32	10.16	-	12.6	40.6	5µm Sn OVER 2-3µm Ni	5µm MIN Sn	12
4-1814643-7	7	16/32	10.16	-	12.6	40.6	5µm Sn OVER 2-3µm Ni	FLASH Au	12
4-1814643-8	7	16/32	10.16	-	12.6	40.6	0.25µm Au OVER 2-3µm Ni	0.75µm Au	12

THIS DRAWING IS A CONTROLLED DOCUMENT.		DWN A. Morey 28JUN05	 Tyco Electronics Corporation Bideford, UK, EX39 4HE	
DIMENSIONS: mm		CHK S. Parlow 01NOV05	NAME CLOSED FRAME DIP IC SOCKET	
		APVD F. Wheeler-King 01NOV05	PRODUCT SPEC -	
TOLERANCES UNLESS OTHERWISE SPECIFIED:		APPLICATION SPEC -	SIZE A2	CAGE CODE 00779
MATERIAL -		FINISH -	DRAWING NO C=1814643	RESTRICTED TO -
CUSTOMER DRAWING			SCALE 2:1	SHEET 2 OF 2
			REV C	

1814643